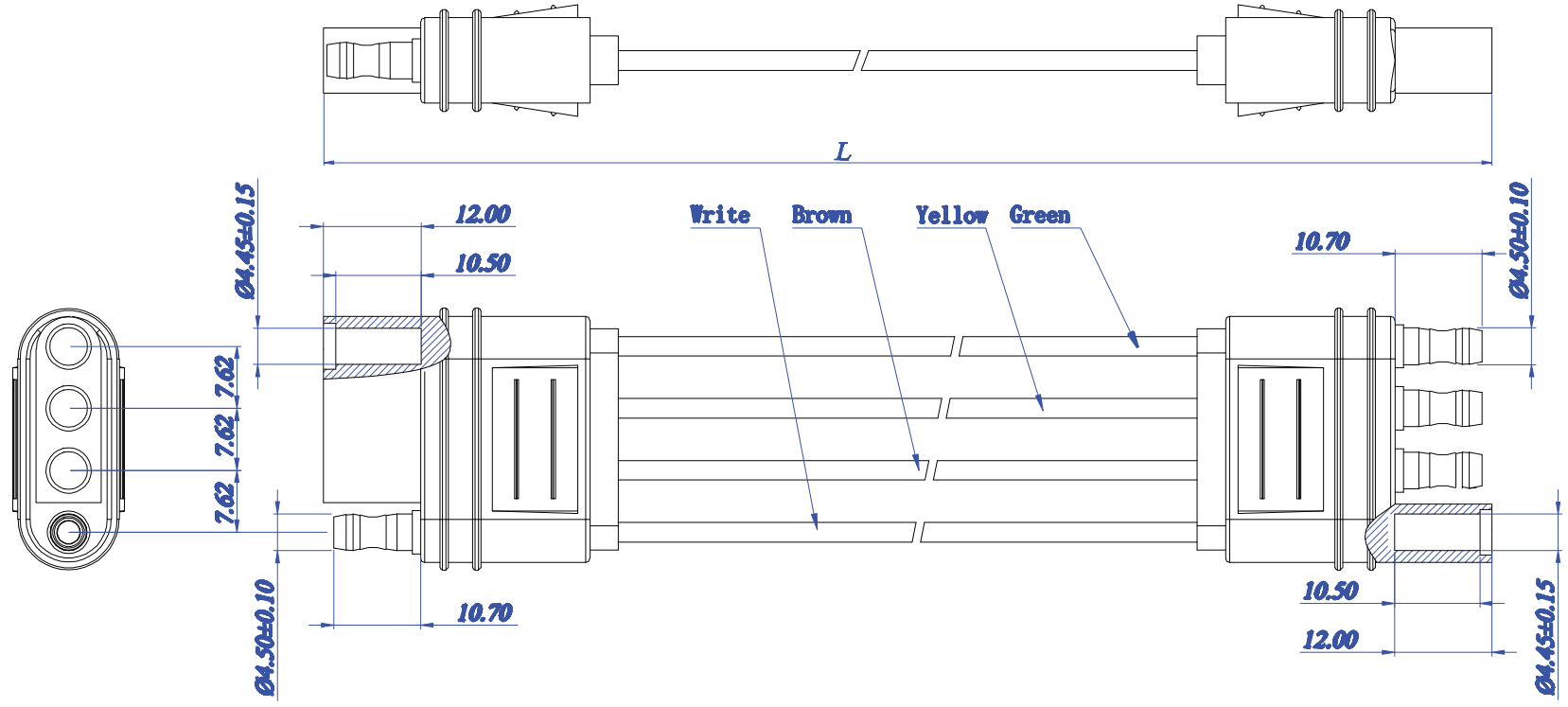



PART NUMBER	DESCRIPTION	L	WEIGHT (LBS.)
84425	4-WAY FLAT MOLDED CONNECTOR, 72" MALE/FEMALE LOOP	72"	0.6
84465	4-WAY FLAT MOLDED CONNECTOR, 48" MALE/FEMALE LOOP	48"	0.3
84415	4-WAY FLAT MOLDED CONNECTOR, 12" MALE/FEMALE LOOP	12"	0.2



	
WIRE RANGE	16 GAUGE STANDARD-19/29
WIRE	COPPER
WIRE INSUL.	PVC
WIRE TEMP	-34°C - 90°C
HOUSING	BLACK PVC
TERMINAL	TIN PLATED COPPER
NOT TO SCALE	